

DM-SM432-WH
DM-SM432-BLK

Description

The DM-SM432 speaker is designed for background music and voice reproduction for indoor and outdoor applications like theme parks, swimming pools, shopping malls, offices, fitness centers, and other commercial environments. This premium design provides high-fidelity sound for nearly any surface-mount audio application.



Key Features

- Designed for indoor or outdoor background music and voice applications
- 8Ω and 70V input selector
- Multiple tap options: 4W/8W/16W/32W
- IP55 water-resistant rated
- HIPPS enclosure, metal grille, and bracket
- Adjustable mounting bracket is perfect for nearly any surface-mount installation

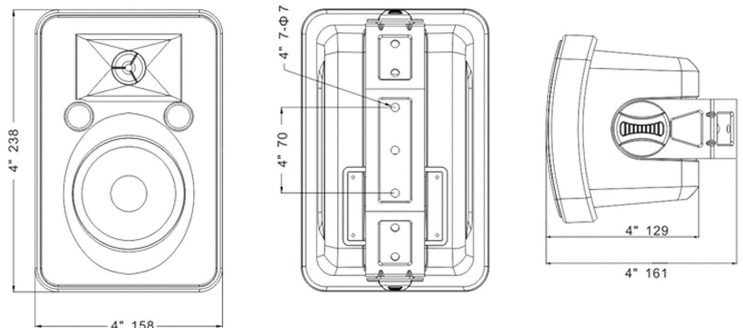
Construction

The DM-SM432 Commercial Surface-Mount Waterproof Speaker uses a 4" woofer and 1.5" directional tweeter constructed from high-density polypropylene. The speaker features a rubber surround, and the directional tweeter has a ferrofluid-cooled silk dome.

The speakers employ waterproof drivers and robust HIPPS cabinets, earning them an IP55 water resistance rating. The adjustable mounting bracket makes the DM-SM432 easy to mount to walls, beams, or any flat surface. A rear selector knob allows you to switch between 70-Volt and 8-ohm inputs.

Specifications

Model	DM-SM432-WH (white color) DM-SM432-BLK (black color)
Input Selector	70 Volt and 8Ω
Transformer Taps	4W/8W/16W/32W
Frequency Range	90HZ – 20KHz
Sensitivity (1w, 1n)	88dB ± 3 dB
Mounting	Adjustable bracket
Material	HIPS enclosure, metal grill, and alloy bracket
Dimensions	6.2 inches x 5.0 inches x 9.3 inches (158mm x 129mm x 238mm)
Finish	White or Black
Speaker Drivers	4" Cone Woofer + 1.5" Directional Silk Dome Tweeter
Net Weight	5.3 lbs. (2.4kg)



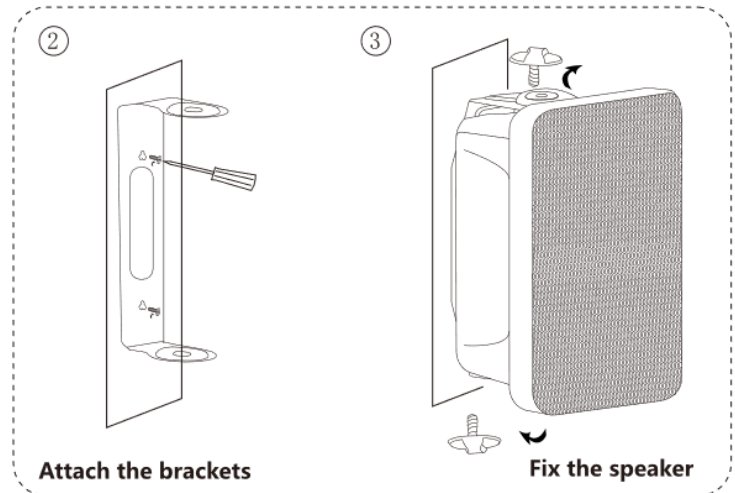
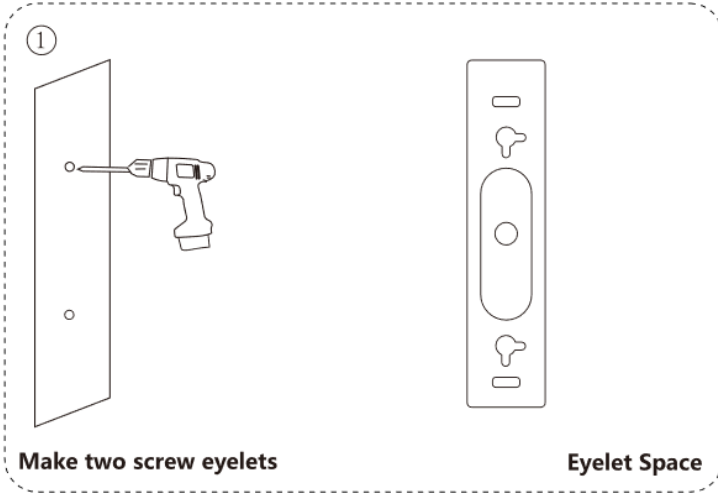
DM Commercial Audio is a Dynamic Media Company

DynamicMediaMusic.com

© Copyright 2023 Dynamic Media | v.01.11.23.22

DM-SM432-WH
DM-SM432-BLK

Installation Instructions



Wiring and Tap Selector Switch

- Connect the speaker using the provided 2-wire lead.
- Use a small screwdriver to rotate the tap selector to the desired 70-volt wattage level or 8Ω.
- 70-volt taps are 4W/8W/16W/32W.

